

TO AVOID FALLING, USE SAFE PROCEDURES WHEN WORKING AT HEIGHTS ABOVE GROUND

Select equipment locations that will allow safe, simple equipment installation.

- Don't work alone. A friend or co-worker can save your life if an accident happens.
- Use approved non-conducting ladders and other safety equipment. Make sure all equipment is in good repair.
- If a tower or mast begins falling, don't attempt to catch it. Stand back and let it fall.
- If anything such as a wire or mast does come in contact with a power line, **DON'T TOUCH IT OR ATTEMPT TO MOVE IT**. Instead, save your life by calling the power company.
- Don't attempt to erect antennas or towers on windy days.

MAKE SURE ALL TOWERS AND MASTS ARE SECURELY GROUNDED, AND ELECTRICAL CABLES CONNECTED TO ANTENNAS HAVE LIGHTNING ARRESTORS. This will help prevent fire damage or human injury in case of lightning, static build-up, or short circuit within equipment connected to the antenna.

- The base of the antenna mast or tower must be connected directly to the building protective ground or to one or more approved grounding rods, using 1 OAWG ground wire and corrosion-resistant connectors.
- Refer to the National Electrical Code for grounding details.

IF A PERSON COMES IN CONTACT WITH ELECTRICAL POWER, AND CANNOT MOVE:

- **DON'T TOUCH THAT PERSON, OR YOU MAY BE ELECTROCUTED.**
- Use a non-conductive dry board, stick or rope to push or drag them so they no longer are in contact with electrical power.
- Once they are no longer contacting electrical power, administer CPR if you are certified, and make sure that emergency medical aid has been requested.

6. Customer Support

You can browse our online FAQ resource on PLANET web site first to check if it could solve your issue. If you need more support information, please contact PLANET support team.

Support team mail address:
support@planet.com.tw

Copyright © PLANET Technology Corp. 2019.

Contents are subject to revision without prior notice.

PLANET is a registered trademark of PLANET Technology Corp.

All other trademarks belong to their respective owners.



ANT-SE17D/ANT-SE17AD

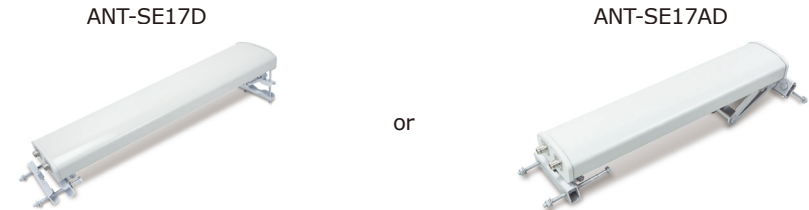
2.4GHz/5GHz 2x2 MIMO 17dBi Sector Antenna

1. Package Contents:

Thank you for purchasing PLANET ANT-SE17D/ANT-SE17AD 2.4GHz/5GHz 2x2 MIMO 17dBi Sector Antenna.

Before installing, please check the contents inside the box.

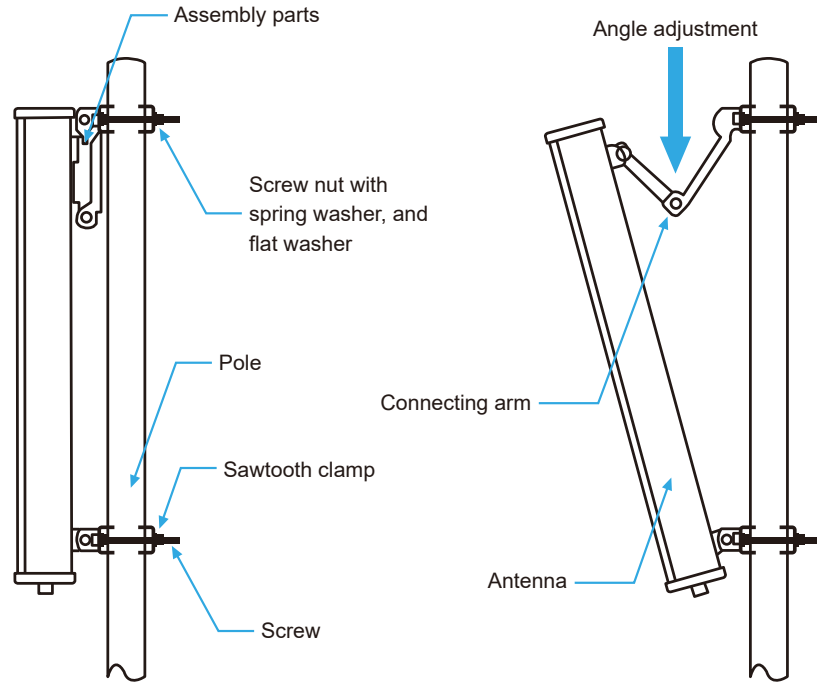
- 2x2 MIMO 17dBi Sector Antenna x 1



2. Product Specifications:

	ANT-SE17D	ANT-SE17AD
Electrical Specifications		
Frequency Range	2400-2500MHz	5150-5850MHz
Antenna Gain	2 x 16.5	2 x 17
Antenna Type	Dual-polarity Sector Antenna	
V.S.W.R.	≤1.5	≤2
Beamwidth Angle	Horizontal 90 degrees	
	Vertical 7 degrees	
Maximum Input Power	200W	
Front-to-back Ratio (dB)	≥23	
Input Impedance (Ω)	50	
Operating Temperature	-40 ~ 60 degrees C	
Mechanical Specifications		
Connector Type	2 N-type female	
Dimensions (H x W x D)	1000x114x54 mm	580x114x54 mm
Weight	6 kg	3 kg
Mechanical Tilt Angle	0 ~10 degrees	
Radome Material	UPVC	
Mounting Hardware	φ35 ~ φ75 mm	φ35 ~ φ90 mm
Rated Wind Velocity	60 m/s	

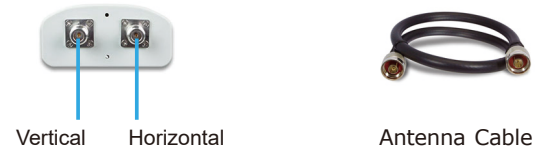
3. Antenna Installation Guide:



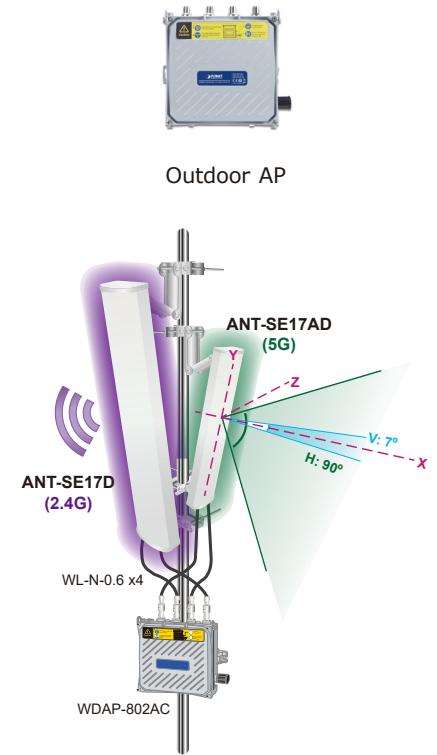
Please follow the steps below:

1. Place the antenna on the pole, adjust the inclination of the antenna, and then fasten the sawtooth clamps with the screw nuts that come with spring washers and flat washers. The final structure should look like the diagram on the right above.
2. Make sure to tightly fasten the upper and lower sides of the antenna to the pole with the clamps. The diameter of the pole is 35~75 mm. To tighten it, place the M8 screws through the sawtooth clamps.
3. Take down the connector cover of the antenna, connect the antenna connectors and make sure that you have sealed the connections well.
4. Loosen the bolts that connect the two struts and adjust the inclination of the antenna to the proper position to receive the best signal. Lastly, screw all the nuts tightly.

4. Antenna Connection Guide:



1. Install sector antenna and antenna cable on the pole.
2. Use antenna cable to lock on the outdoor AP 2.4G/5G N-type female connectors and make sure that the connection is tight.



5. OUTDOOR INSTALLATION WARNING



IMPORTANT SAFETY PRECAUTIONS:

LIVES MAY BE AT RISK! Carefully observe these instructions and any special instructions that are included with the equipment you are installing.

CONTACTING POWER LINES CAN BE LETHAL

Make sure no power lines are anywhere where possible contact can be made. Avoid contact with antennas, masts, towers, guy wires or cables that may lean or fall. You may be injured or killed if you are touching or holding any part of equipment that comes in contact with electrical lines. Make sure that equipment or personnel must not come in contact directly or indirectly with power lines.

Assuming all overhead lines are power lines:

The horizontal distance from a tower, mast or antenna to the nearest power line should be at least twice the total length of the mast/antenna combination. This will ensure that the mast will not contact power if it falls either during installation or later.

