




1. Package Contents

Check the contents of your package for the following parts:

Fast Ethernet Switch x 1	5V DC, 1A Power Adapter x 1	User's Manual x 1
		

If any of these are missing or damaged, please contact your dealer immediately; if possible, retain the carton including the original packing material, and use them again to repack the product in case there is a need to return it to us for repair.

- 1 -

2. Product Features

- RJ45 Interface
 - 5/8 10/100Mbps Fast Ethernet ports
 - Complies with IEEE 802.3, 10BASE-T, IEEE 802.3u 100BASE-TX Ethernet standards
 - Supports auto MDI/MDI-X function
- Switching
 - Hardware-based 10/100Mbps, half/full duplex, flow control and auto-negotiation
 - Features Store-and-Forward mode with wire-speed filtering and forwarding rates
 - IEEE 802.3x flow control for full duplex operation and backpressure for half duplex operation
 - Integrated address look-up engine, supporting 2K/1K absolute MAC addresses (FSD-503/FSD-803)
 - Handles up to 1536bytes packet size
 - Automatic address learning and address aging
 - Supports CSMA/CD protocol

- 2 -

■ Hardware

- Made of metal, desktop size and wall-mount design
- LED indicators for system power, per port Link/Act
- 5V DC, 1A external power adapter
- One power on/off button for energy savings
- FCC, CE Class B compliant

- 3 -

3. Switch Front Panel

Figures 3-1 and 3-2 show the front panels of FSD-503 and FSD-803, respectively.



Figure 3-1: FSD-503 Front Panel



Figure 3-2: FSD-803 Front Panel

- 4 -

4. LED Indicators

LED	Color	Function	
PWR	Green	Light	Indicates that the Switch is powered ON.
		OFF	Indicates that the Switch is powered OFF.
Link/ACT	Green	Light	Indicates the link through that port is successfully established at 10/100Mbps.
		Blink	Indicates the Switch is actively sending or receiving data over that port.

- 5 -

5. Switch Rear Panel

Figures 5-1 and 5-2 show the rear panels of FSD-503 and FSD-803, respectively.



Figure 5-1: FSD-503 Rear Panel

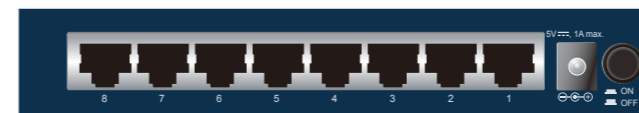


Figure 5-2: FSD-803 Rear Panel

- 6 -

6. Installing the Switch

This part describes how to install your Fast Ethernet Switch and make connections to it. Please read the following topics and perform the procedures in the order being presented.

Note This Switch does not need software configuration.

Desktop Installation

To install the Switch on desktop, simply follow the following steps:

- Step 1:** Place the Switch on the desk near a power source.
- Step 2:** Keep some ventilation space between the Switch and the surrounding objects.

Note When choosing a location, please keep in mind the environmental restrictions discussed in Chapter 7 under Product Specifications.

- 7 -

- 8 -

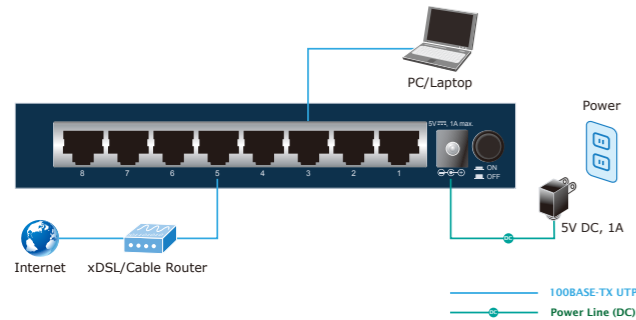
Step 3: Connect your Switch to network devices.

- A.** Connect one end of a standard network cable to the 10/100 RJ45 ports on the rear panel of the Switch.
- B.** Connect the other end of the cable to the network devices such as printer servers, workstations or routers, etc.

Step 4: Supply power to the Switch.

- A.** Connect one end of the power cable to the Switch.
- B.** Connect the 5V DC power adapter to a standard wall outlet.

When the Switch receives power, the Power LED should remain solid Green.



Flow Control	Back pressure half duplex, IEEE 802.3x pause frame full duplex	
Switch Fabric	1.0Gbps	1.6Gbps
Throughput (packet per second)	0.744Mpps	1.19Mpps
Maximum Packet Size	1536bytes	
Standards Conformance		
Standards Compliance	IEEE 802.3 (Ethernet) IEEE 802.3u (Fast Ethernet) IEEE 802.3x (Full-duplex Flow Control)	
Regulatory Compliance	FCC Part 15 Class B, CE	
Environments		
Temperature	Operating: 0~50 degrees C Storage: -10~70 degrees C	
Humidity	Operating: 5% to 95%, Storage: 5% to 95% (non-condensing)	

7. Product Specifications

Product	FSD-503	FSD-803
Hardware Specifications		
Hardware Version	4	
10/100BASE-TX Ports	5 auto MDI/MDIX ports	8 auto MDI/MDIX ports
LED Display	One for power, one for Link/ACT per Port	
Enclosure	Metal	
Dimensions (mm)	155 x 86 x 26mm	
Weight (g)	306g	316g
Power Requirements (External power adapter)	5V DC, 1A	
Power Consumption/Dissipation (Full operation)	1.8 watts/ 6.1 BTU	2.6 watts/ 8.8 BTU
Switch Specifications		
Switch Processing Scheme	Store-and-Forward	
Address Table	2K	1K
Shared Buffer	Built-in	448k

8. Customer Support

Thank you for purchasing PLANET products. You can browse our online FAQ resource on PLANET web site first to check if it could solve your issue. If you need more support information, please contact PLANET switch support team.

PLANET online FAQs:
<https://www.planet.com.tw/en/support/faq>

Switch support team mail address:
support@planet.com.tw

Copyright © PLANET Technology Corp. 2021.
Contents are subject to revision without prior notice.
PLANET is a registered trademark of PLANET Technology Corp.
All other trademarks belong to their respective owners.



PLANET Technology Corp.
10F., No. 96, Minquan Rd., Xindian Dist., New Taipei City 231, Taiwan

Energy Saving Note of the Device

2351-A33030-002

This power required device does not support Standby mode operation. For energy saving, please remove the DC-plug or push the hardware Power Switch to OFF position to disconnect the device from the power circuit.

Without removing the DC-plug from or switching off the device, the device will still consume power from the power source. In view of Saving the Energy and reducing the unnecessary power consumption, it is strongly suggested to power off or to remove the DC-plug from the device if this device is not intended to be active.



EC Declaration of Conformity

For the following equipment:

*Type of Product: 5-Port 10/100Mbps Fast Ethernet Switch
8-Port 10/100Mbps Fast Ethernet Switch

*Model Number: FSD-503,
FSD-803

* Produced by:
Manufacturer's Name : Planet Technology Corp.
Manufacturer's Address: 10F., No.96, Minquan Rd., Xindian Dist.,
New Taipei City 231, Taiwan R.O.C.

is herewith confirmed to comply with the requirements set out in the Council Directive on the Approximation of the Laws of the Member States relating to Electromagnetic Compatibility Directive on 2014/30/EU and Low Voltage Directive 2014/35/EU.

For the evaluation regarding the EMC, the following standards were applied:

EN 55032	(2015)
EN 61000-3-2	(2014)
EN 61000-3-3	(2013)
EN 55024	(2010)
EN60950-1	(2006+A11:2009+A1:2010+A12:2011+A2:2013)

Responsible for marking this declaration if the:

Manufacturer Authorized representative established within the EU

Authorized representative established within the EU (if applicable):

Company Name: Planet Technology Corp.

Company Address: 10F., No.96, Minquan Rd., Xindian Dist., New Taipei City 231, Taiwan R.O.C.

Person responsible for making this declaration

Name, Surname: Kent Kang

Position / Title : Director

Taiwan
Place

March 3, 2017
Date

Legal Signature

PLANET TECHNOLOGY CORPORATION

e-mail: sales@planet.com.tw http://www.planet.com.tw
10F., No.96, Minquan Rd., Xindian Dist., New Taipei City, Taiwan, R.O.C. Tel:886-2-2219-9518 Fax:886-2-2219-9528