



Media Converter Chassis

MC-700 & MC-1500

User's Manual



Trademarks

Copyright © PLANET Technology Corp. 2002.

Contents subject to revision without prior notice.

PLANET is a registered trademark of PLANET Technology Corp.

All other trademarks belong to their respective owners.

FCC Warning

This equipment has been tested and found to comply with the limits for a Class A digital device, pursuant to Part 15 of the FCC Rules. These limits are designed to provide reasonable protection against harmful interference when the equipment is operated in a commercial environment. This equipment generates, uses, and can radiate radio frequency energy and, if not installed and used in accordance with the Instruction manual, may cause harmful interference to radio communications. Operation of this equipment in a residential area is likely to cause harmful interference in which case the user will be required to correct the interference at his own expense.

CE Mark Warning

This is a Class A product. In a domestic environment, this product may cause radio interference, in which case the user may be required to take adequate measures.

Revision

PLANET Media Converter Chassis User's Manual

FOR MODELS: MC-700 & MC-1500

Part No.: 2010-00005-001

1. Overview

The 10/19-inch Media Converter Chassis, MC-700 & MC-1500 is designed to accommodate 7/15 units of various type media converter at a central location for multiple segments cross connection. Independent power supply in each bay of the MC-700/MC-1500, you can freely install the converters without interrupting the rest of networks. Moreover, each bay of the media center can deploy to PLANET'S converter family like Ethernet, Fast Ethernet twisted pair to Fiber-optic conversion, Gigabit SX to LX conversion, etc ..., The slidin media converters are available for use at 10/19-inch Media Converter Chassis.

2. Checklist

Before you start installing the Converter, verify that the package contains the following:

- The Media Converter Chassis
- Mounting Accessory (for 10/19" Chassis Shelf)
- This User's Manual
- AC Power Cord

Please notify your sales representative immediately if any of the above-mentioned items is missing or damaged

3. Panel Description

The front panel of the MC-1500 is as below:

- 15 open slots for media converters
- 3 LED indicators for system and fans



Fig. 1 Front View of 19-inch Converter Chassis MC-1500

LED indications:

Printing	LED Status	Description
PWR	ON	The chassis is powered
	OFF	The chassis is not powered or power failure if the AC outlet is with 100~240V AC voltage. Please consult your local dealer if power failure.
FAN A / FAN B	ON	The fan is functional O.K
	OFF	The fan is not powered or it is malfunction. If the fan LED remains off while power is on. Please consult your local dealer to replace the FAN.

The rear panel of the MC-1500 is with two fans, one ON/OFF Switch and a power inlet that accept 100~240V AC, 50/60Hz power input.



Fig. 2 Rear view of MC-1500

The front panel of the MC-700 is as below:

- 7 open slots for media converters
- 2 LED indicators for system and fans



Fig. 3 Front View of 10-inch Converter Chassis MC-700

LED indications:

Printing	LED Status	Description
PWR	ON	The chassis is powered
	OFF	The chassis is not powered or power failure if the AC outlet is with 100~240V AC voltage. Please consult your local dealer if power failure.
FAN	ON	The fan is functional ok
	OFF	The fan is not powered or it is malfunction. If the fan LED remains off while power is on. Please consult your local dealer to replace the FAN.

The rear panel of the MC-700 is with one fan, one ON/OFF Switch and a power inlet that accept 100~240V AC, 50/60Hz power input.



Fig. 4 Rear view of MC-700

Power Notice:

1. The device is a power-required device, it means, it will not work till it is powered. If your networks should active all the time, please consider use an UPS (Uninterrupted Power Supply) for your device. It will prevent you from network data loss or network downtime.
2. In some area, installing a surge suppression device may also help to protect your chassis from being damaged by unregulated surge or current to the converter or the power adapter.
3. MC-700 provide 22watt total power dissipation, MC-700 maximum allow to install 2 gigabit Converter in each MC-700.

4. Installation

4.1 Installing Media Converter Chassis to 10/19-inch Wiring Closet Rack

- » Install four screws through mounting ears into each side
- » Locate Converter Chassis at 10/19-inch mounting rails and screw up the front brackets
- » Set Main power switch at "OFF" position before connecting the power cord

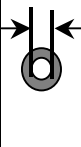
4.2 Installing Converters to the Media Converter Chassis

- » Turn off the Converter Chassis power
- » Verify the Media Converter is right for this Chassis and locate +5VDC power jack on converter back, carefully slide in and plug to match 10"/19" Chassis slot +5V DC receptacle. Push up the picket fence to lock the converters

Note:The slide-in Media Converters and Converter Chassis should be supplied only from PLANET, both Media Converters and Chassis are built to match each other at dimensions, DC power jack, DC receptacle and power safety.

- » Ensure that there is no activity in the network
- » Connect the media cable for network connection
- » Turn on the chassis power, the Power LED, and both FAN LED indicators will light up

Converter Check point

Fiber Port	Attach the fiber cable. The Tx, Rx fiber cable must be paired at both ends	 <p>2.5mm DC Receptacle 2.5mm +5V for each slot ⊖ ⊕ ⊕</p> <p>DC receptacle is 2.5mm wide that conforms to and matches the Media Converter 2.5mm DC jack's central post. Do not install any improper unit, model of the Media Converter</p>
TP Port	Attach UTP Cat. 3 or 5 cable to TP port MPR: To a Hub or Repeater DTE: To a workstation or NIC Slide switch "DTE"/"MPR" is on the side panel. Default: MPR	
BNC Port	Attach T-Connector to BNC port and connect the RG-58 coaxial network. Ensure the coaxial cable/segment is terminated at both ends properly.	

Note: For safety reason, it is recommend storing the AC adapter of the converter in a known secured place. For more about converter, refer to the user guide of the converter.

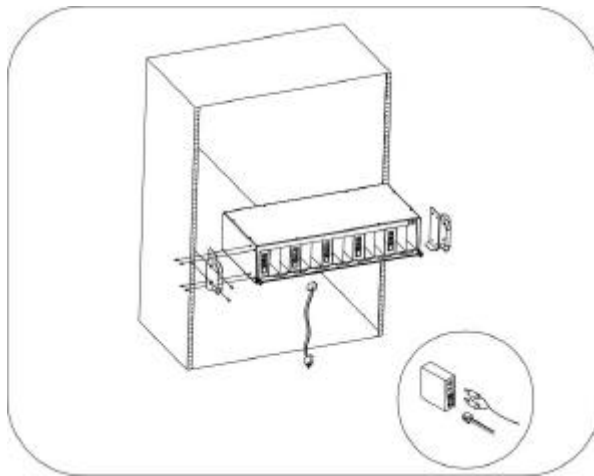


Fig. 5 Installing Media Converter Chassis in 19-inch Wiring Closet Rails

5. MC-1500 Converter Chassis Specifications

Dimension	438 mm x 103 mm x 200 mm (WxHxD)
Converter slots	15 slots
Power Input	100~240V AC, 50/60Hz
Power Dissipation	75 watt maximum
Power Output per slot	+5V DC
DC Plug per slot	2.5 mm DC receptacle
LED indication	3; Power, FAN A, FAN B
Environment	Temperature: 0 ~ 50 degree C (operating), -20~70 degree C (storage) Humidity: 0~90% non-condensing
Emission	FCC, CE-mark

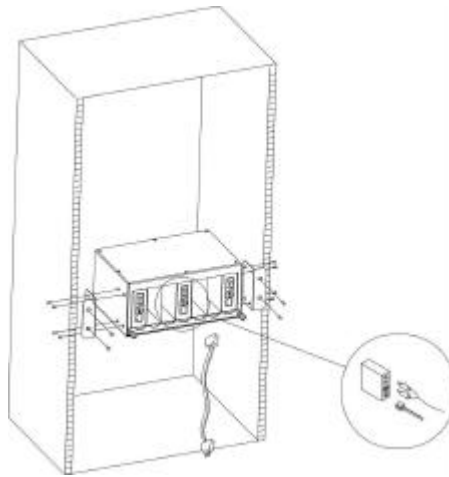


Fig. 6 Installing Media Converter Chassis in 10-inch Wiring Closet Rails

6. MC-700 Converter Chassis Specifications

Dimension	217 mm x 88.5 mm x 140 mm (WxHxD)
Converter slots	7 slots
Power Input	100~240V AC, 50/60Hz
Power Dissipation	22 watt maximum
Power Output per slot	+5V DC
DC Plug per slot	2.5 mm DC receptacle
LED indication	2; Power, FAN
Environment	Temperature: 0 ~ 50 degree C (operating), -20~70 degree C (storage) Humidity: 0~90% non-condensing
Emission	FCC, CE-mark