

Quick Installation Guide

WBS-200N/WBS-500N

300Mbps 802.11n Outdoor Wireless CPE



1. Package Contents

Thank you for choosing PLANET Outdoor Wireless CPE. Before installing, please verify the contents inside the package box. The device mentioned herein is the brief name of the "Outdoor Wireless AP/CPE".

WBS-200N/WBS-500N

Quick Guide

Mounting Strap x 2



PoE Injector

Power Cord

Screw Set x 1



If there is any item missing or damaged, please contact the seller immediately.

- 1 -

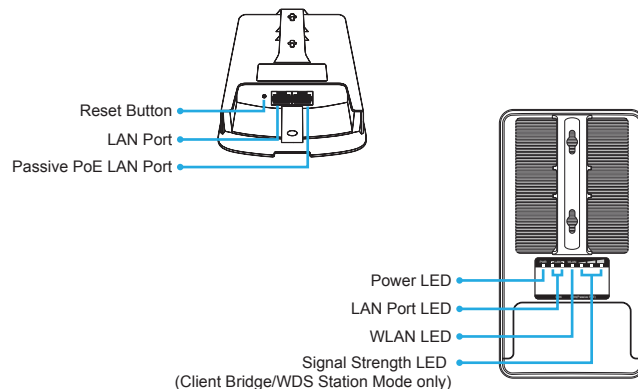
IMPORTANT SAFETY PRECAUTIONS:



1. **LIVES MAY BE AT RISK!** Please be aware of the electrical wires around. Carefully read the section "**OUTDOOR INSTALLATION WARNING**" in the manual before installation.
2. Users **MUST** complete grounding wired with the device; otherwise, a sudden lightning could cause fatal damage to the device. **EMD (Lightning) DAMAGE IS NOT COVERED UNDER WARRANTY.**
3. Users **MUST** use the "PoE Injector and Power Cord" shipped in the box with the device. Use of other options will cause damage to the device.

2. Physical Introduction

Hardware Description

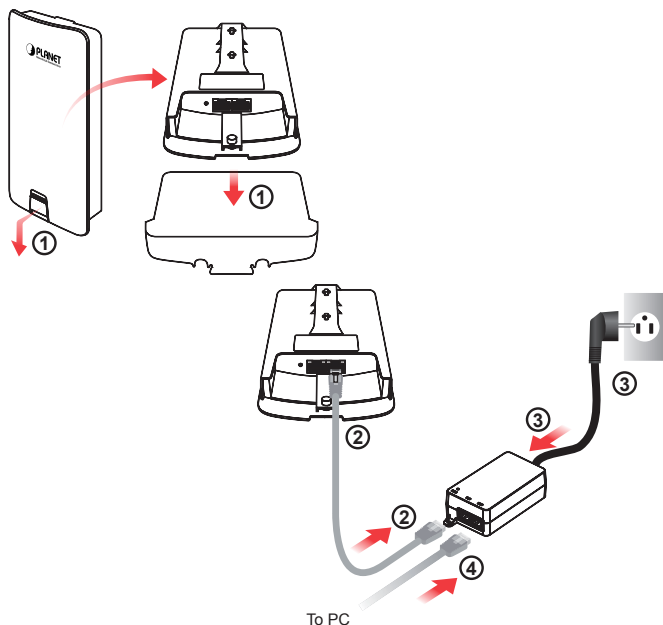


- 2 -

3. Hardware Installation

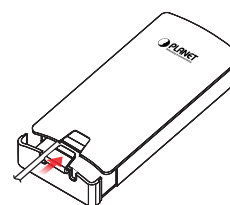
Step 1:

- (1) Remove the bottom cover.
- (2) Connect one end of the Ethernet cable into the LAN (Passive PoE) port of the device and the other end to the PoE port on the PoE Injector.
- (3) Connect the power cord with the PoE Injector and plug the other end into an electrical outlet.
- (4) Connect the second Ethernet cable into the LAN port of the PoE Injector and the other end to the Ethernet port on the computer.



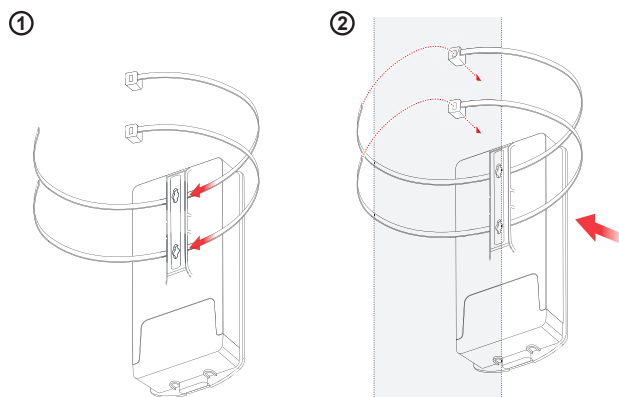
- 3 -

- Step 2: Place the bottom cover back into the device to finish the installation.



Step 3: Pole Mounting

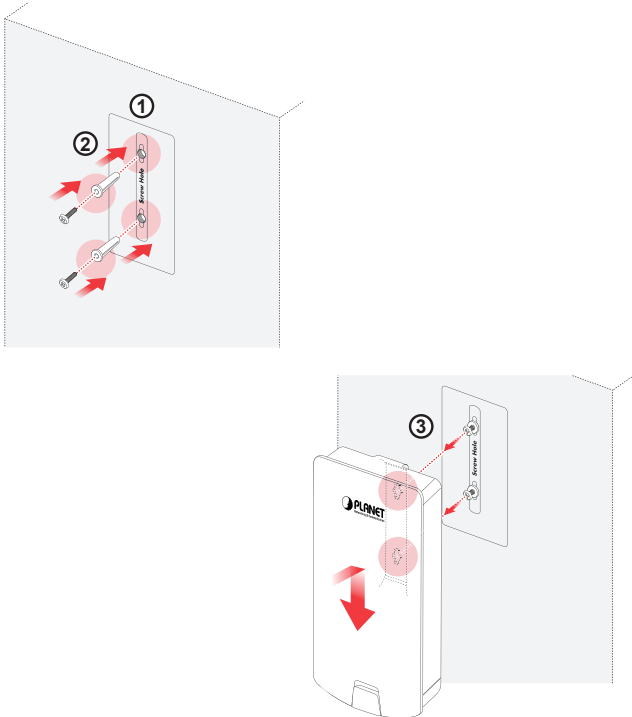
- (1) Thread two mounting straps through the mounting bracket on the back of the device.
- (2) Position the device on a pole and secure both mounting straps to finish the installation.



- 4 -

Step 4: Wall Mounting

- (1) Secure the adhesive label to a position on the wall where you would like to install the device.
- (2) Follow the plotting sticker to drill two holes and secure the plastic anchors and screws.
- (3) Align the screw holes on the mounting bracket with the screws and then install the device on the wall to finish the installation.

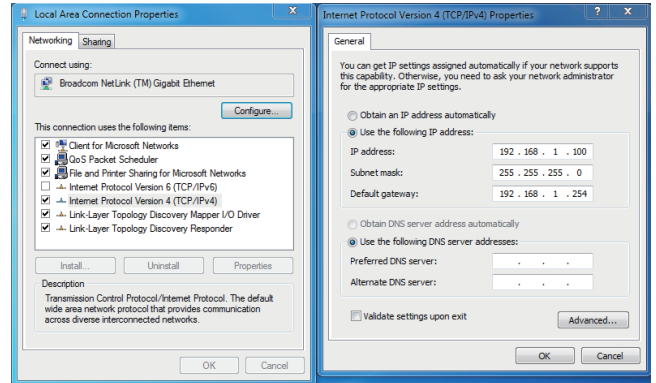


- 5 -

4. Web Login

A computer with wired Ethernet connection is required for the first-time configuration of the device.

1. Click the **"Start"** button located in the lower-left corner of your computer.
2. Click **"Control Panel"**.
3. Double-click the **"Network and Sharing Center"** icon.
4. Click **"Change Adapter Settings"**.
5. Double-click **"Local Area Connection"**.
6. Select **"Internet Protocol Version 4 (TCP/IPv4)"** and click **"Properties"**.
7. Select **"Use the following IP address"** and then click the **"OK"** button twice to save the configuration. For example, you may choose from 192.168.1.1 to 192.168.1.254 excluding the default IP address of the device (192.168.1.253).



- 6 -

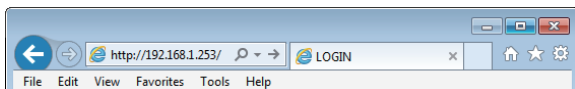
Default IP Address: **192.168.1.253**

Default User Name: **admin**

Default Password: **admin**

Default SSID: **PLANET1**

Step 1: The Web management allows you to access and manage the device easily. Launch the Web browser and enter the default IP address **"http://192.168.1.253"**.



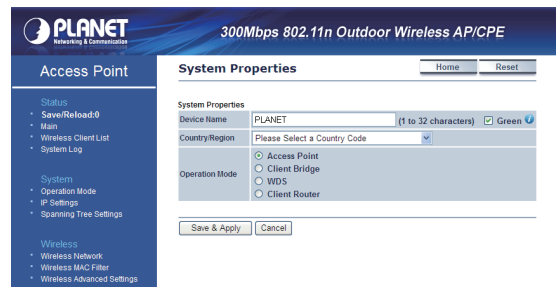
Step 2: When the login window appears, please enter the User Name and the Password. The default User Name and Password are both **"admin"**. Then click the **Login** button to continue.



For security reasons, it is recommended to change the password at the first login and memorize it.

- 7 -

Step 3: After you enter into the Web User Interface, click **Operation Mode** on the left hand side of the screen to configure the wireless connection. Once the basic configuration of the device is done, go to the **Save/Reload** page to save and apply the changes.



Further Information:

The above steps introduce the simple installations and configurations of the device. For further configurations, please refer to the user manual, which can be downloaded from the website.

WBS-200N:
<http://www.planet.com.tw/en/support/download.php?ty pe1=4&model=48981&type=3>

WBS-500N:
<http://www.planet.com.tw/en/support/download.php?ty pe1=4&model=48983&type=3>

If you have further questions, please contact the local dealer or distributor where you purchased this product.



2011-E10640-000

- 8 -