

Quick Installation Guide

KVM-210-08M/KVM-210-16M

17" 8/16-Port Combo VGA LCD KVM Switch



1. Package Contents

Thank you for choosing PLANET KVM-210-08M/KVM-210-16M LCD KVM Switch. The KVM Switch provides a useful function that controls a computing infrastructure that combines multiple computers with other peripherals.

Open the box of the KVM Switch and carefully unpack it. The box should contain the following items:

- LCD KVM Switch x 1
- Quick Guide x 1
- KVM Cable x 1
- Power Adapter x 1
- Power Cord x 1
- Rack-mounting Kit x 1
- Stand Kit x 1
- M6 Screw x 12



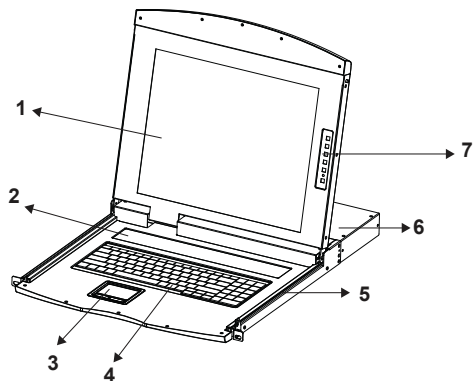
Note

If there is any item missing or damaged, please contact the seller immediately.

2. Physical Introduction

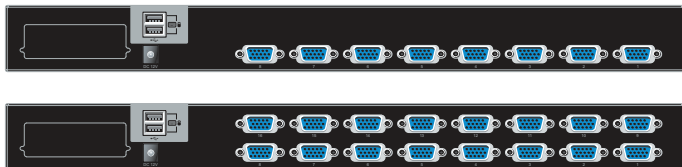
8/16-Port Combo KVM Switch


➤ Control Platform



No.	Component	Function Description
1	LCD	17" LCD screen
2	Port Select Panel	Switch the Port Number and display the online port
3	Touchpad	Mouse Operation
4	Keyboard	Keyboard Operation
5	Slide Rail	Single Slide Rail
6	8-/16-port KVM	Modular KVM for 8/16 ports
7	LCD Panel OSD Buttons	Controls Display Required Quality

➤ Rear Panel



Interface	Description
Power Jack	<p>The input power is 12V DC.</p> <div style="border: 1px solid orange; padding: 5px; display: inline-block;">  <p>Note Use the power adapter included in the package; otherwise, it may damage the unit and result in danger.</p> </div>
USB Port	Plug external USB keyboard and mouse into this port.
Computer Port	Install the KVM cable connected to a PC here.

➤ Port Select Panel



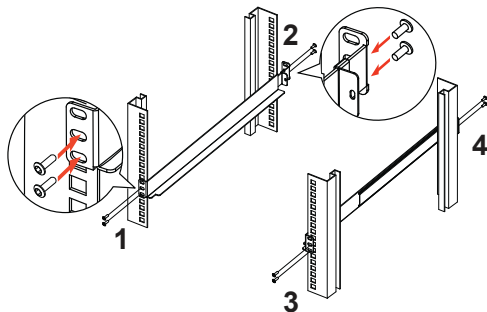
Interface	Description
Online	If a corresponding LED number is on, it means the port is online. Otherwise, the port is off.
Select	The selected port number will display here in segment display.

RST	Detect the PS2/USB signal of port again.
ENT	User can select by pressing the number buttons and press "ENT" to confirm, then it will switch to the corresponding port. If that port is offline or the wrong number is pressed which is not included in display scope, there will be no response, but just keep the present status.

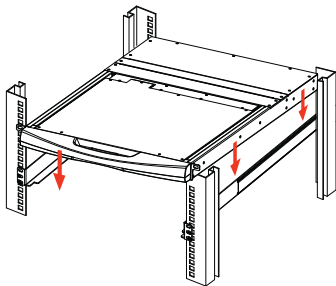
3. Hardware Installation

The LCD KVM provides a standard 19-inch rack for the installation of devices. Please use the rack installation accessories attached with the product package. First install the accessories to the device and then the device to the rack.

Step 1. Screw the front flange to the rack first. Slide the bars with the rear flange towards the rack until the flanges make contact with the rack, then screw the rear flanges to the rack.



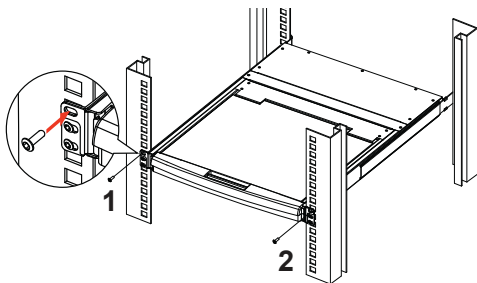
Step 2. Slide the switch onto the support flanges. Use the screws supplied with this package to loosely attach the front of the switch to the front of the rack.



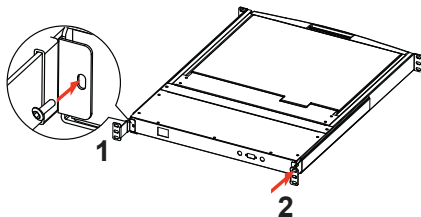
Note

1. You must use the screws supplied with the mounting brackets. Damage caused to the parts by using incorrect screws would invalidate your warranty.
2. Please make sure computer and switch KVM are turned off.

Step 3. Slide the rear attachment sliding brackets along the slide bars until they contact the rear of the switch.

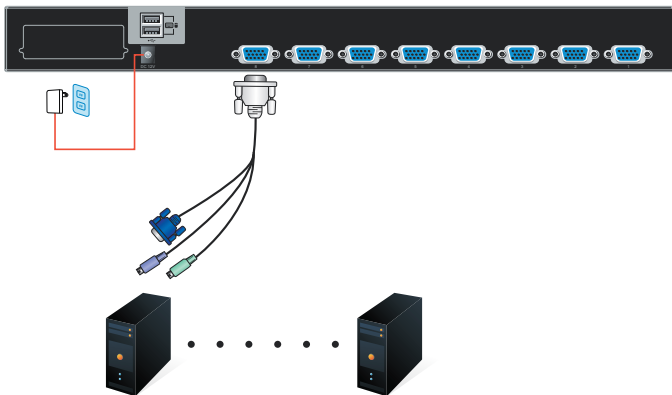


Step 4. Use the screws supplied with this package to attach the bars to the rear of the switch.



Step 5. Connect a PC to a computer port of the KVM, for example port 1.

KVM-210-08M Rear Panel



Step 6. Attach the power supply to the KVM unit and plug the other end into an electrical receptacle. Now you will see the LED for Port 1 light up. Switch on your monitor from the Port Select button.

4. Operations

There are three ways to switch PC. Please see below the operation instructions for more understanding.

➤ **Manual Key**

You just need to press the **Port Select Button** on the front panel of the KVM. The **Selection LED (Green)** is on, indicating that you are switching to the corresponding port.



Note

The Port Select Button functions only when connected to a PC.

➤ **Switch Hotkey**

You can select the **QVS (Quick View Setting)** from the OSD of the PC first (for a quick switch of PC) and use the **keyboard** to switch to the previous or next set of PC.

Scroll + Scroll + Num (Default setting)

Ctrl + Ctrl + Num

Alt + Alt + Num

Shift + Shift + Num

Example: Press Scroll + Scroll + 02 and switch to PC port 2.

➤ **OSD (On Screen Display) Activating Key**

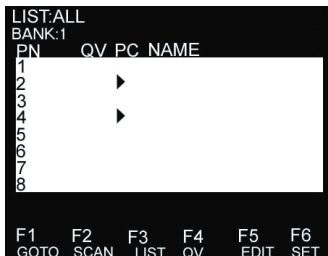
Press the **Activating Key** to start the OSD.

Ctrl + Ctrl (Default setting)

Scroll + Scroll with Fn key

Alt + Alt

Shift + Shift



OSD Screen appears after pressing “Ctrl” twice

Further Information:

The above steps introduce the simple installation of the KVM Switch. For further details on the installation of the LCD KVM Switch, please refer to the user manual which can be downloaded from the PLANET website.

<http://www.planet.com.tw/en/support/download.php?type1=102&model=48924&type=3>



If you have further questions, please contact the local dealer or distributor where you purchased this product or you can contact PLANET directly at the following email address: support@planet.com.tw

PLANET Technology Corp.

11F., No. 96, Minquan Rd., Xindian Dist., New Taipei City 231, Taiwan
2011-F00370-000

