

Quick Installation Guide

VIP-6040PT

Gigabit Color LCD HD PoE IP Phone



VERIFY THE CONTENTS INSIDE THE PACKAGE BOX

The package should contain the following items plus VIP-6040PT. If any item is missing or damaged, please contact the seller immediately.



Quick Guide



Handset



Handset Cord



RJ-45 Cable



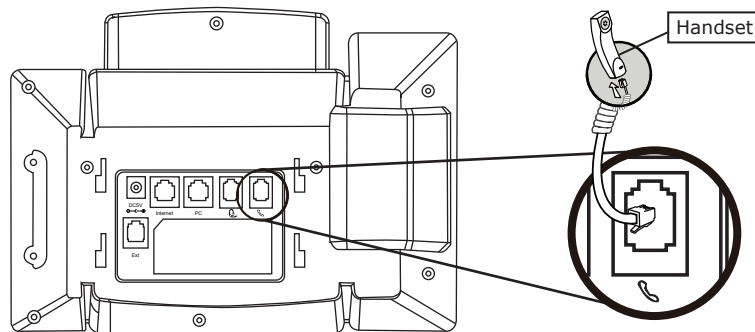
Power Adapter



Stand

Step 1. Handset Connection

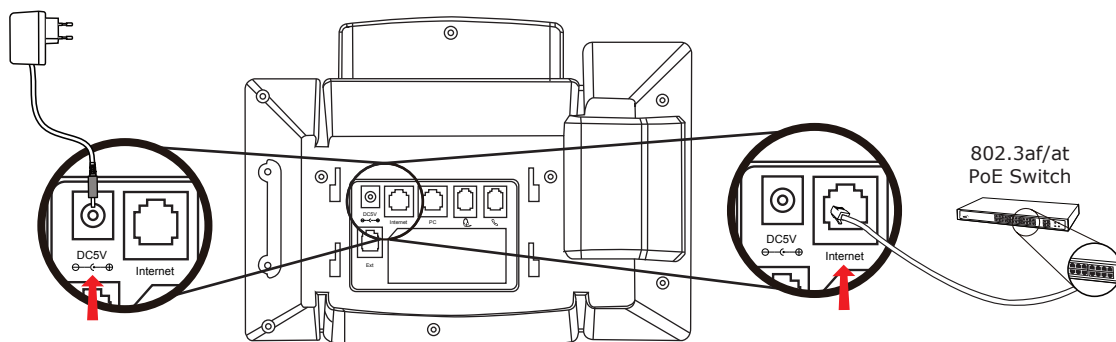
Plug one end of the handset cord into the handset and the other end into the handset jack.



Step 2. Connecting Power System

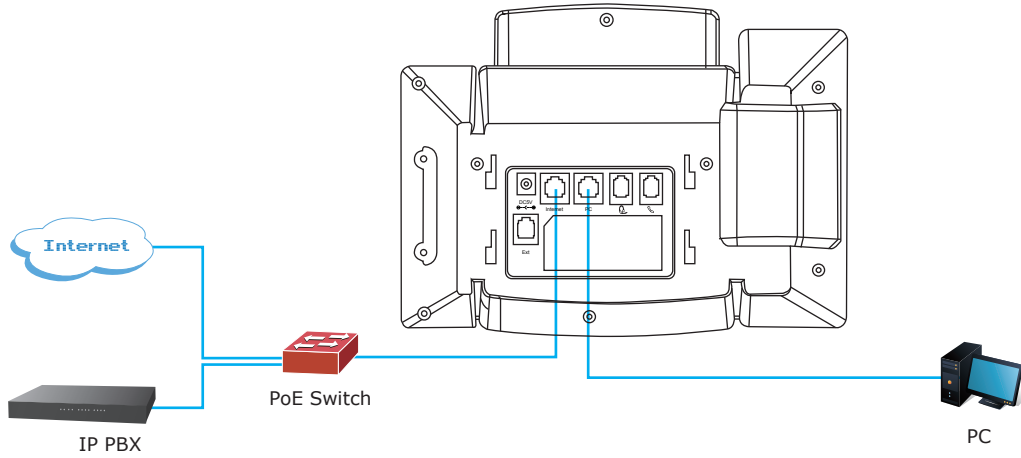
The VIP-6040PT can be powered either by its external AC/DC adapter or by connecting to an IEEE 802.3af/at PSE device such as 802.3af injector / hub or 802.3af/at PoE switch.

Once the VIP-6040PT is powered, the LCD screen will prompt for POST.



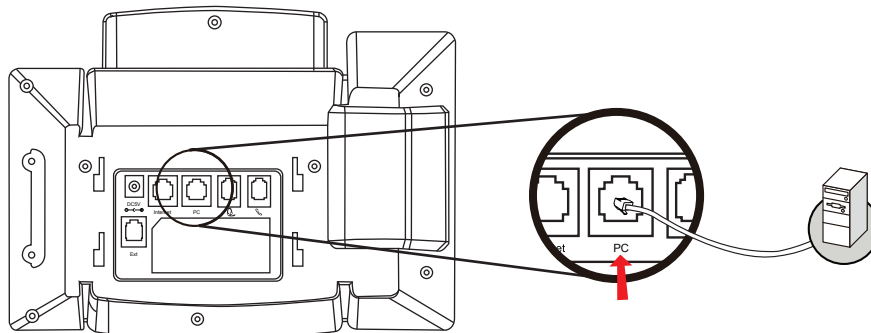
- NOTE :**
1. This unit does not include the 5V/1.2A power adapter.
 2. Only Internet port supports 802.3af/at PoE.

Step 3. Connecting Network



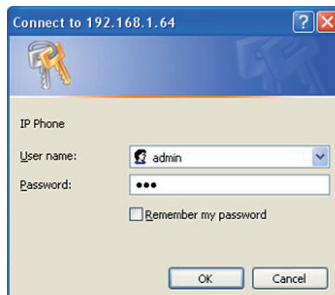
Step 4. Computer Network Setup

Set your computer's IP address to 192.168.0.x, where x is a number between 2 to 254 (except 1 where is being used for the phone by default). If you don't know how to do this, please ask your network administrator. Connecting your PC to the VIP-6040PT PC port.



Step 5. Login Prompt

Use Web browser (Internet Explorer 6.0 or above) to connect to 192.168.0.1 (type this address in the address bar of Web browser). You'll be prompted to input user name and password: **admin** and **123**



Further Configuration

For detailed configuration, please check user's manual which you can download from the website.



VIP-6040PT

http://www.planet.com.tw/en/product/images/48580/EM-VIP-6040PT_v1.0.pdf

If you have any other question, please contact the dealer where you purchased this product or you can contact PLANET directly at the following email address: support@planet.com.tw